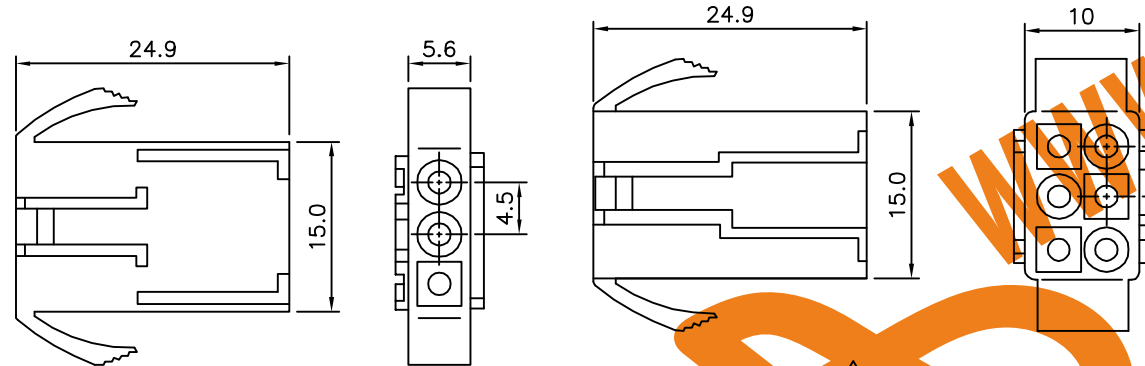


△ 1X02P

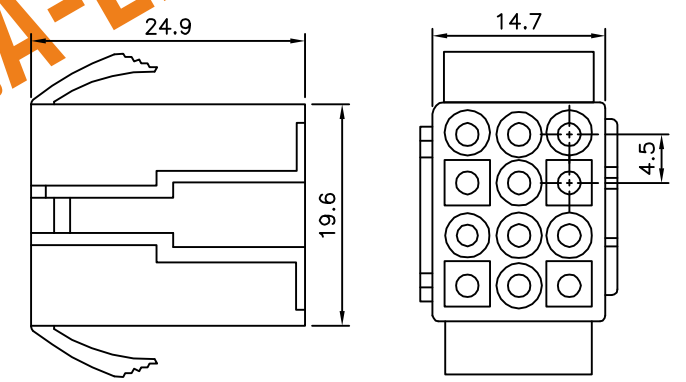
△ 2X02P

SPECIFICATION
 Current Rating:6A,AC/DC
 Voltage Rating:300V,AC/DC
 Withstand Voltage:1500V AC/Minute
 Insulation Resistance:1000 Megaohms Min.
 Temperature Range:-25°C~+85°C
 Material:PA66,UL94V-0
 RoHS Compliant

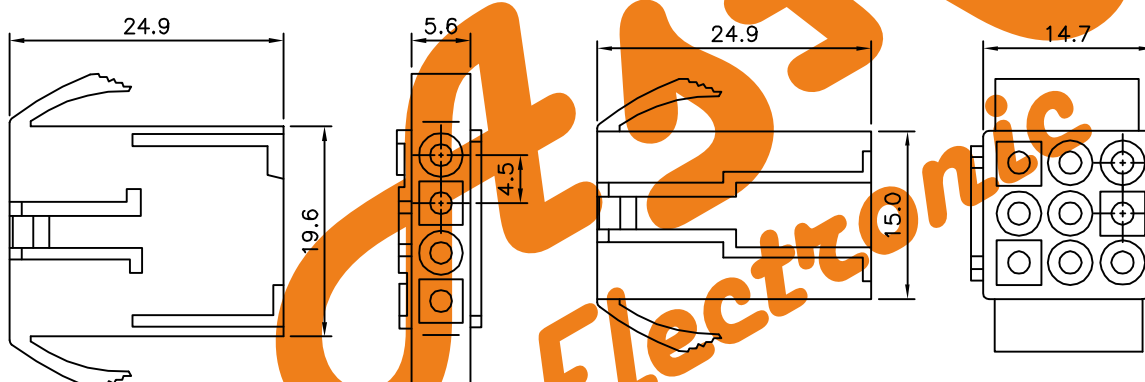


△ 1X03P

△ 2X03P

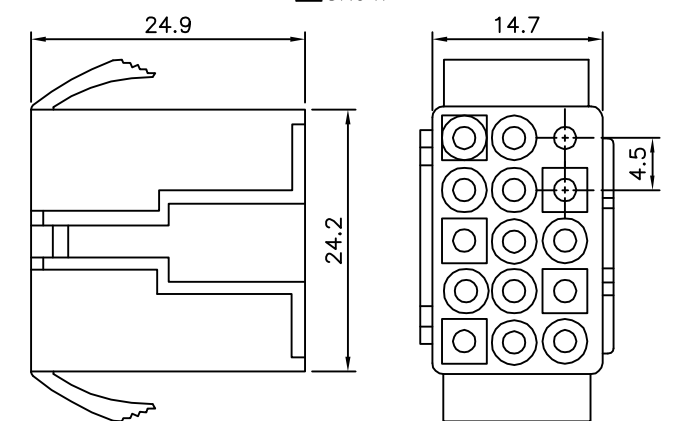


△ 3X04P



△ 1X04P

△ 3X03P



△ 3X05P

AsA Electronic
 WWW.AsA-Elec.com
AsA Electronic Co.
 Tel : (+98) 21 66 73 56 82 Mob : (+98) 912 03 161 02

DRAWING No.		APPROVED BY		UNLESS OTHERWISE SPECIFIED TOLERANCES ARE △ .X ±0.3
02312		MEI		
		CHECKED BY	HZ	
		DRAWING BY	SONG	
SCALE	NONE	REV.	A3	UNIT mm

△ A3	Modify Tol.	HZF	08/05/2013
△ A2	Modify Data	HZF	09/10/2010
△ A1	Modify Data	HZF	01/28/2010
△ A0	NEW RELEASE		
NO.REV.	REVISIONS	CHK	DATE